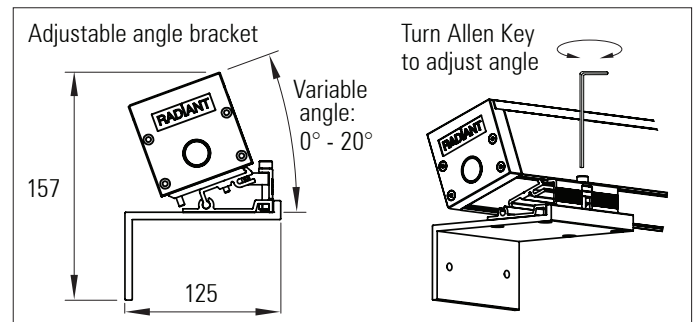
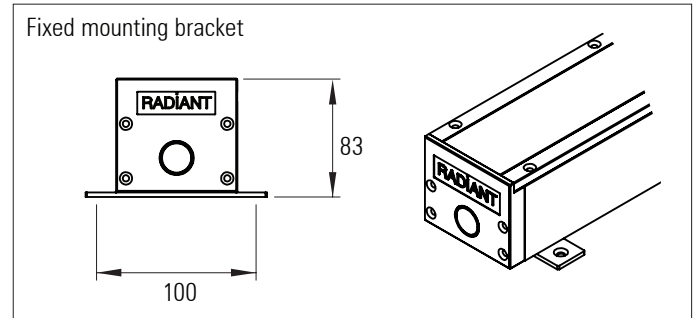
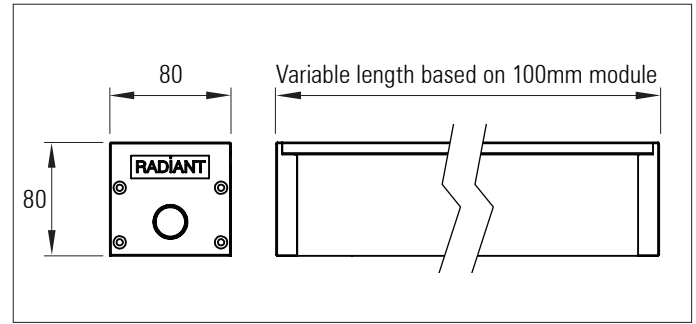


# Euclid 80

## RGBW LED linear lighting system IP 65



### Euclid 80 RGBW IP65 with lenses and honeycomb

**louvre** High power, IP 65 rated, RGBW LED linear lighting system

#### Product description:

Exterior wall grazing and wall washing applications

Integral mains voltage AC to DC constant current drivers. 230 V AC

input Incorporates a highly efficient colour-blending lens system

RGBW, RGB, RGBA, Dynamic-white or white LED options available Satin

black, satin white or any RAL paint colour finish

Custom lengths based on a 100 mm module up to 2 mtrs

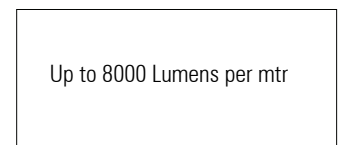
Various mounting options and bracket types are available

16 Amp IP67 connectors join strips together on-site

Various dimming options available: 1 - 10, DALI, DMX

Honeycomb louvre for glare control

Side, back and end power feed options allow continuous lighting without dark areas - LED pitch is maintained between the individual luminaires



Product Code	IP	No. of LEDs per mtr.	Length (mm)	Colour Temp. (K)	CRI	Optics	Bracket Type	Cover	Feed	Finish
EUCLID 80	65	40=25mm 20=50mm LED spacing	100mm -increments of 100mm up to- 2,000mm	RGB RGBW RGBA Dynamic-white 27=2,700k 30=3,000k 40=4,000k 45=4,500k 50=5,000k	80 90	34° 26° 20° 13° 8° 10x40°	Adjustable Fixed	Clear Frosted	End Back	Black White Any RAL- colour